



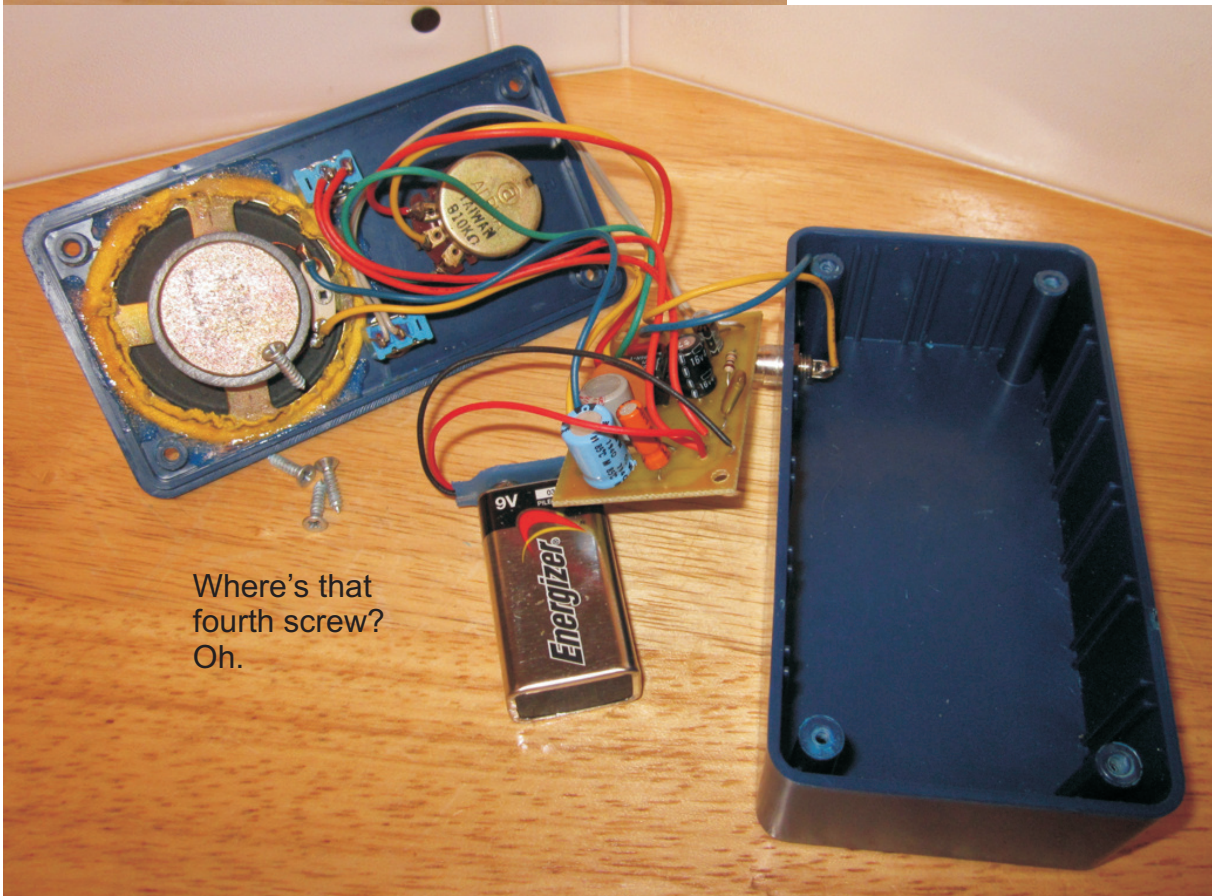
This Audio Amplifier is a useful piece of test equipment.

I made the picture really big because I like “big sound.”



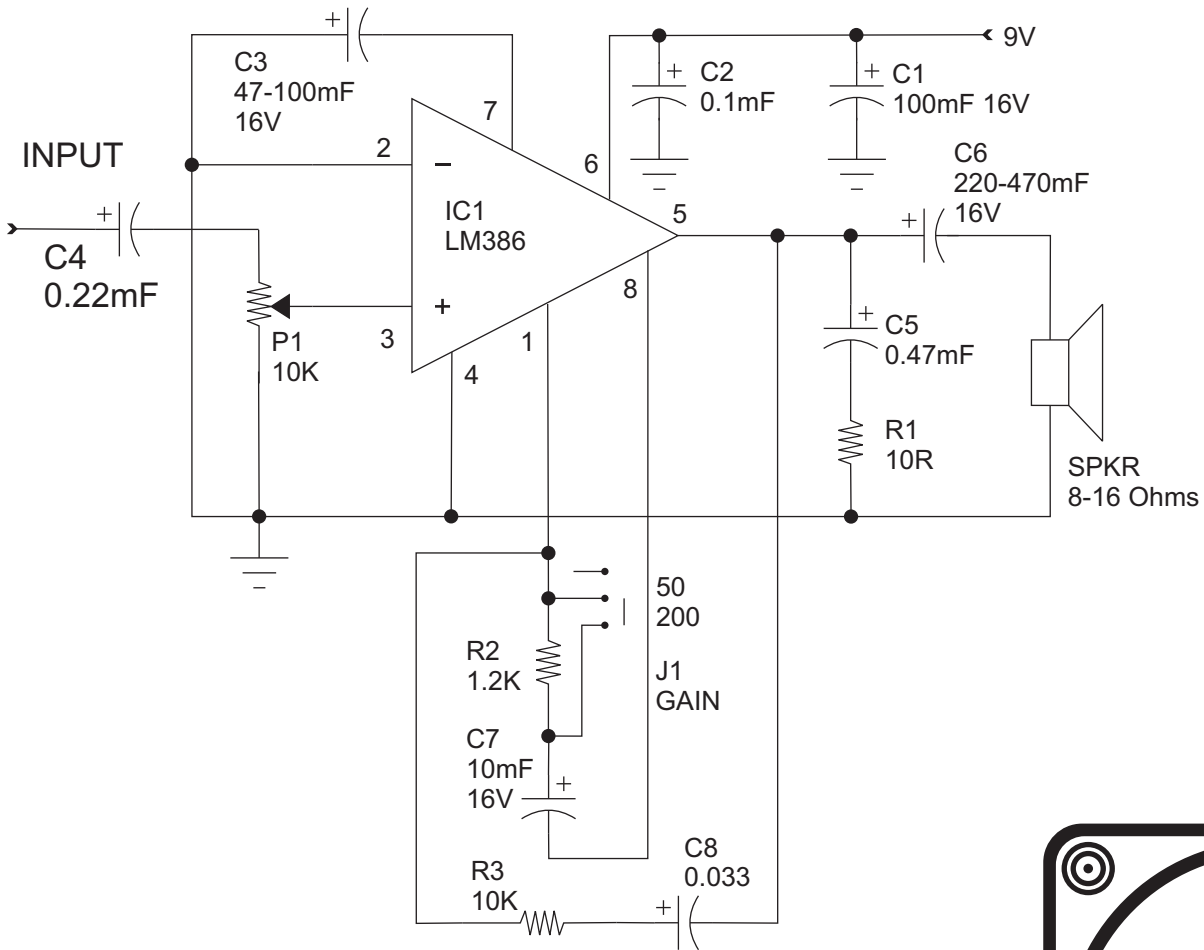
This bright yellow cloth keeps the dust out of the speaker, but not much else.

For more information on making labels see my "Sferics Detector."

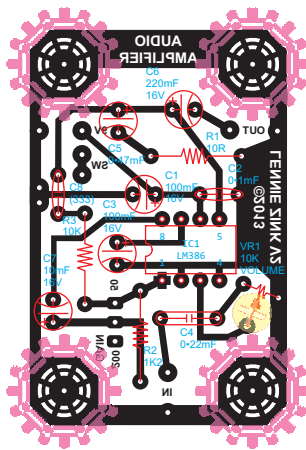


Where's that fourth screw?
Oh.

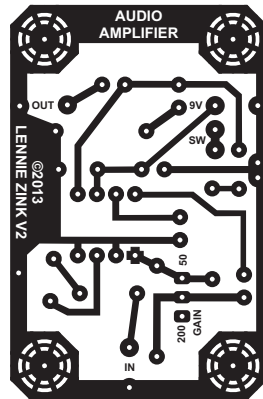
AUDIO AMPLIFIER CIRCUIT



Original: LM386 Audio Amplifier Circuit
 Posted by P. Marian in Audio
<http://electroschematics.com/552/lm386-audio-amplifier/>



PARTS LAYOUT



BOTTOM VIEW

