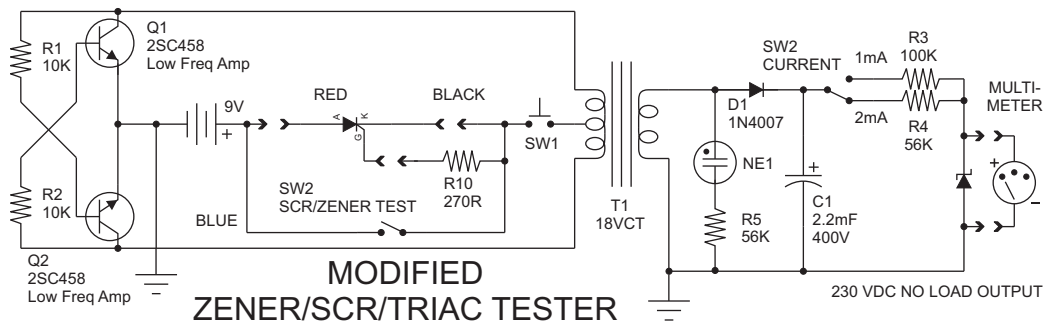
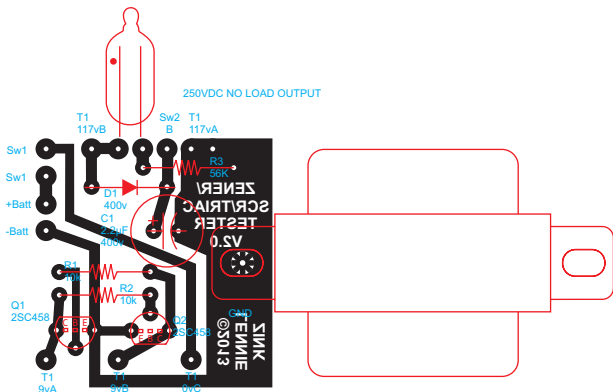


©2013
Lennie Zink
Bay City, MI



MODIFIED
ZENER/SCR/TRIAC TESTER

MODIFIED ZENER/SCR/TRIAC TESTER



5 1/8 x 2 5/8
BOX

LABEL

PARTS LAYOUT

I built a zener tester and modified it to test SCRs and TRIACs.

Zener Test: Place zener across jacks. Set SOURCE switch to ZENER. Press the TEST button. If the neon lights, the zener is either a high voltage or an open device. Connect meter to determine the voltage rating of the zener.

Test SCRs/TRIACs: Insert device in socket. Set SOURCE switch to OTHER. Press the TEST BUTTON. If neon lights, the device is working.

I added more punch (current) to the output transformer by using a transistor oscillator instead of a NE555 timer and a center tap transformer for AC output.

CAUTION: A mild shock is possible across the zener jacks.

