

**Driveway
View
Camera**



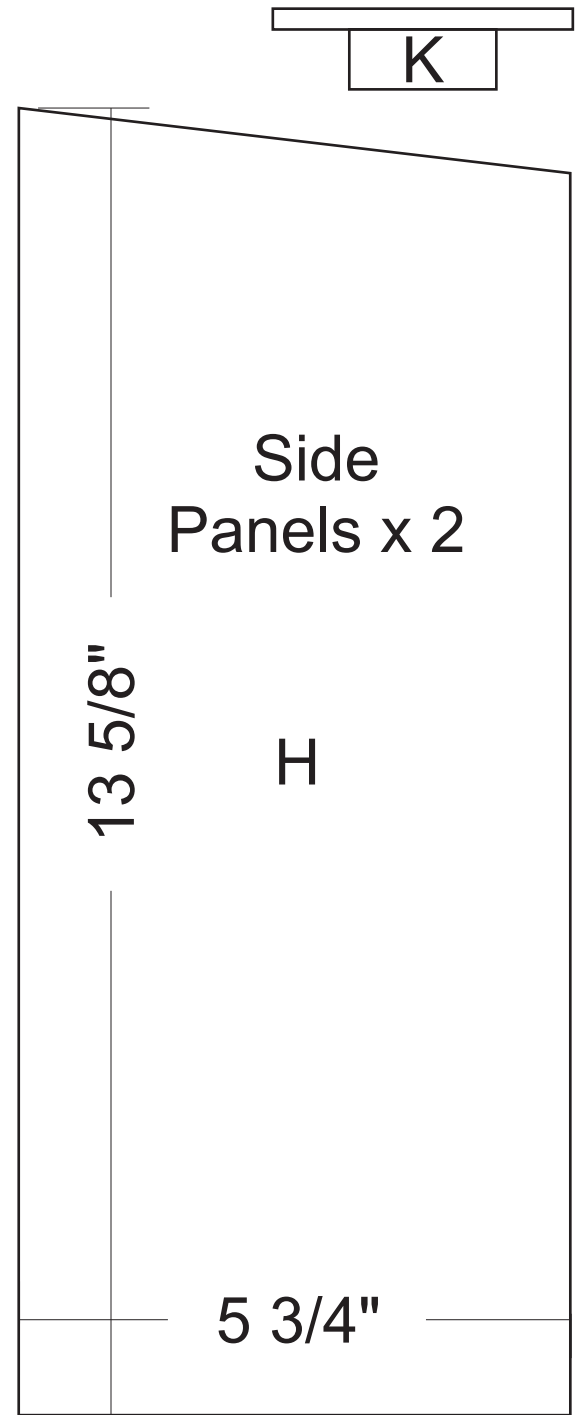
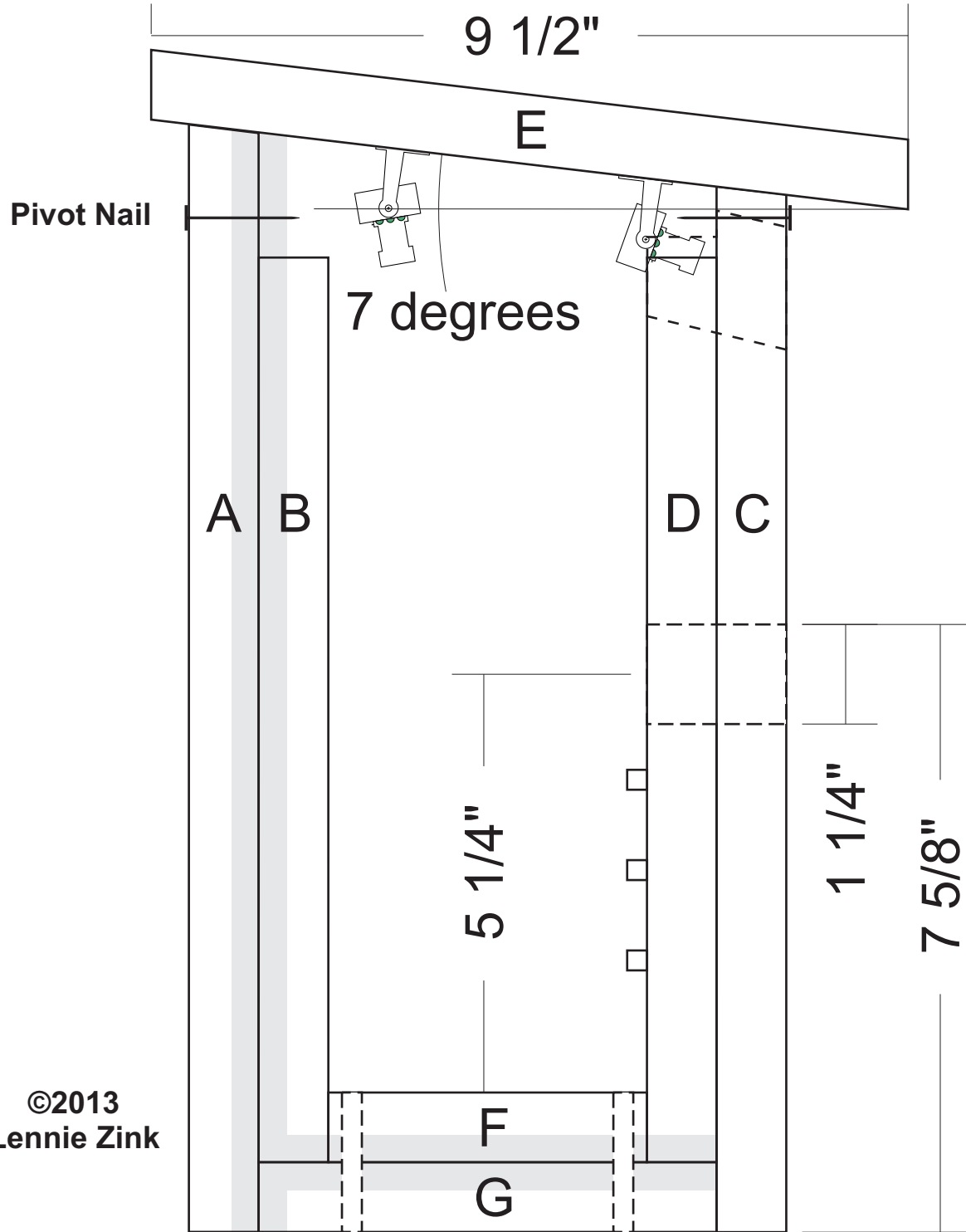
**©2013
Lennie Zink**

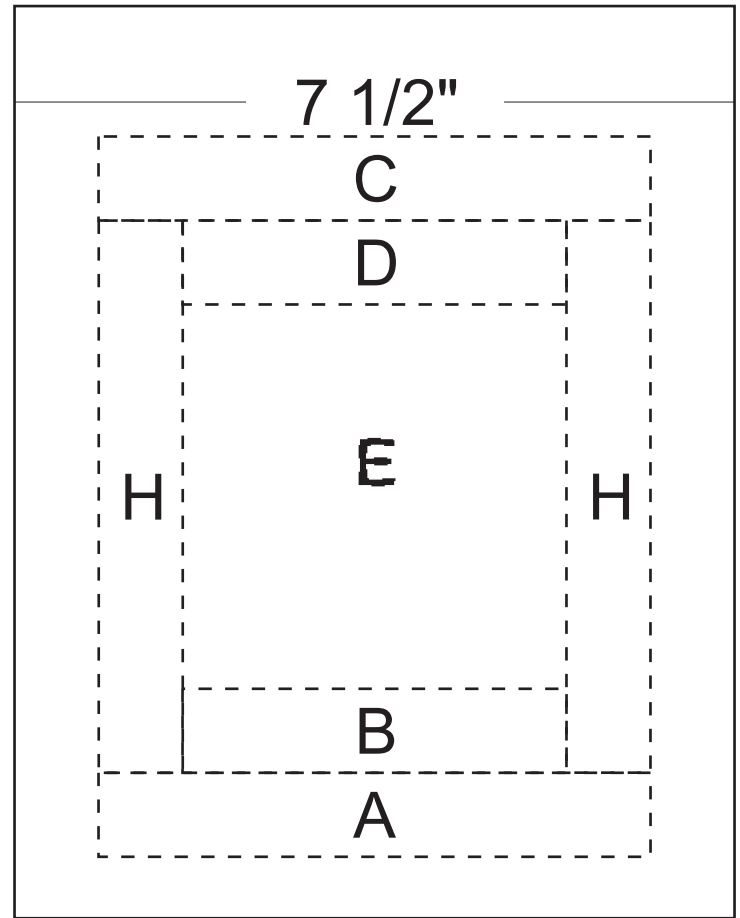
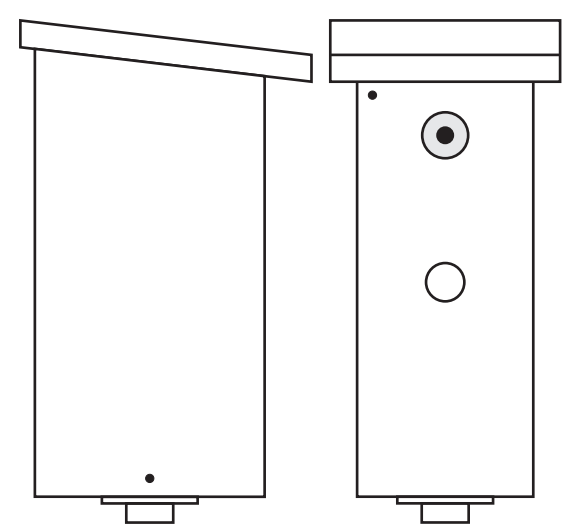
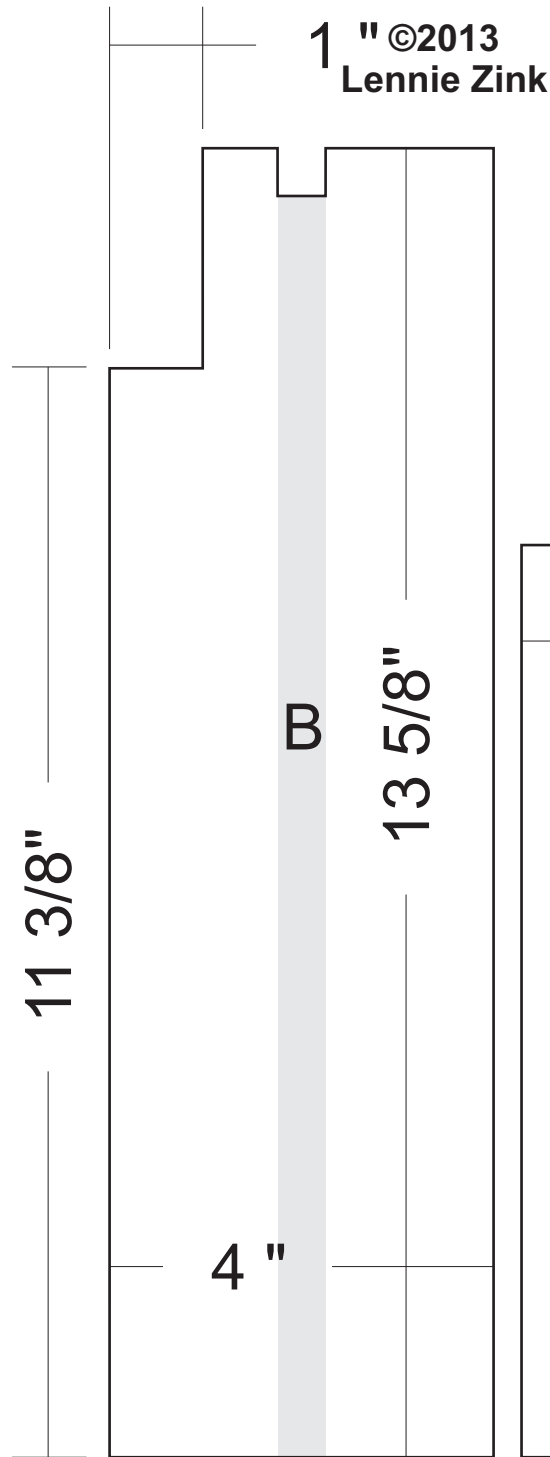
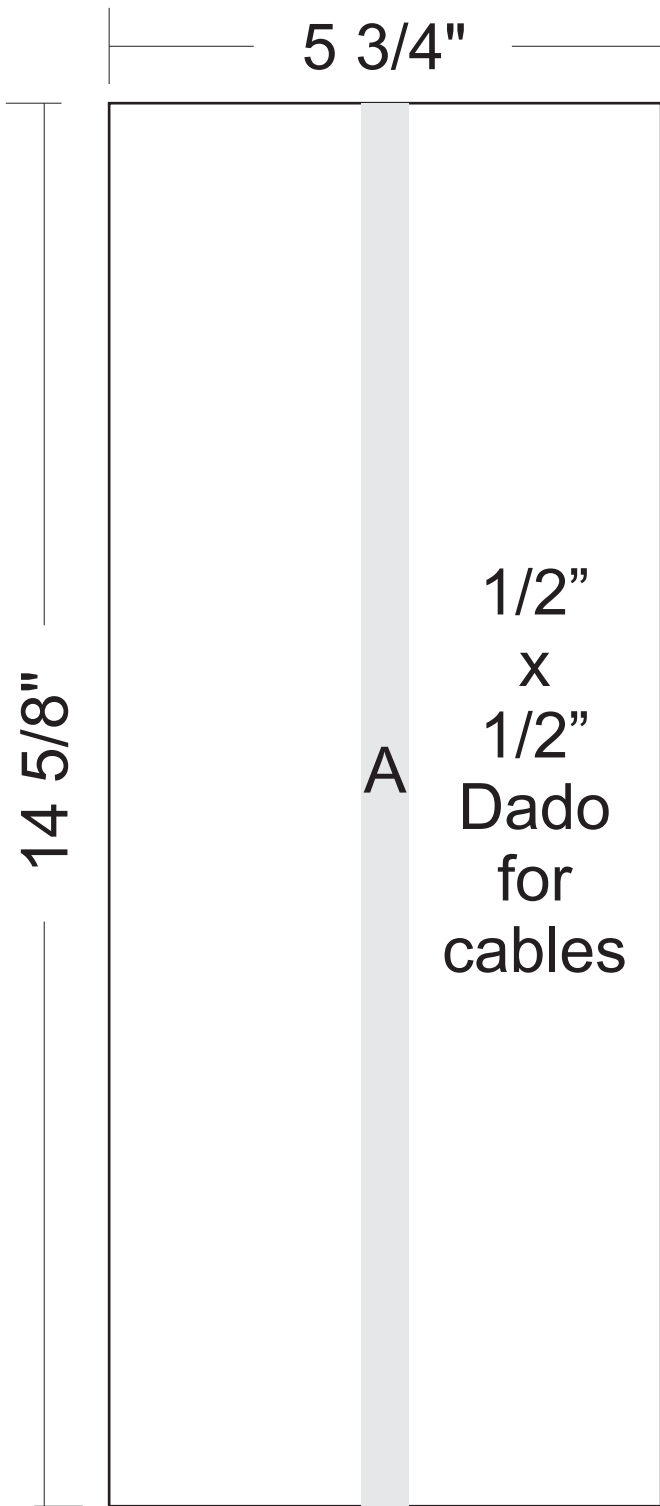
**Side panel swings
out for cleaning**



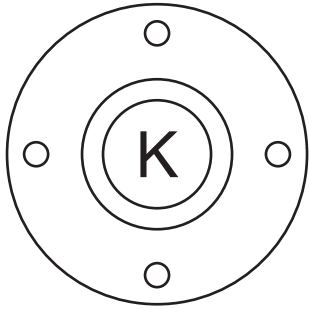
WREN NESTING BOX WITH WILDLIFE VIDEO CAMERAS

Wren Nesting Box

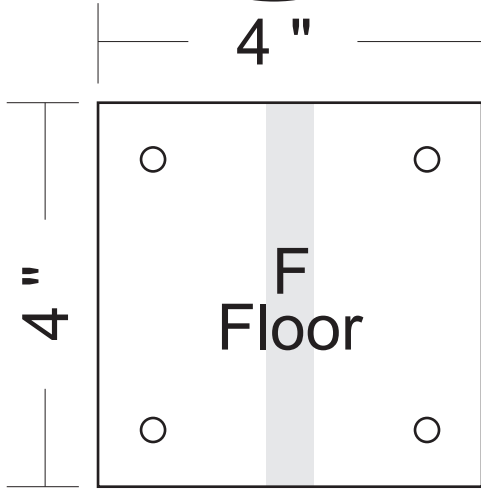




1" Pipe
Flange

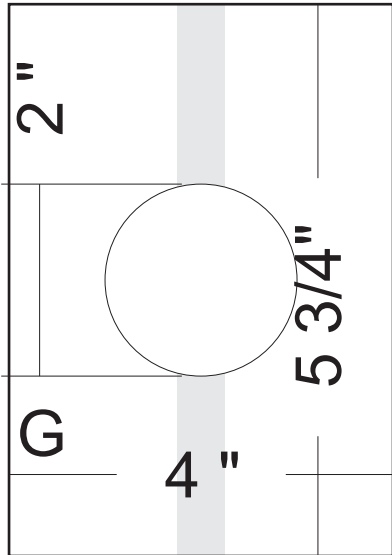


4"



4"

F
Floor



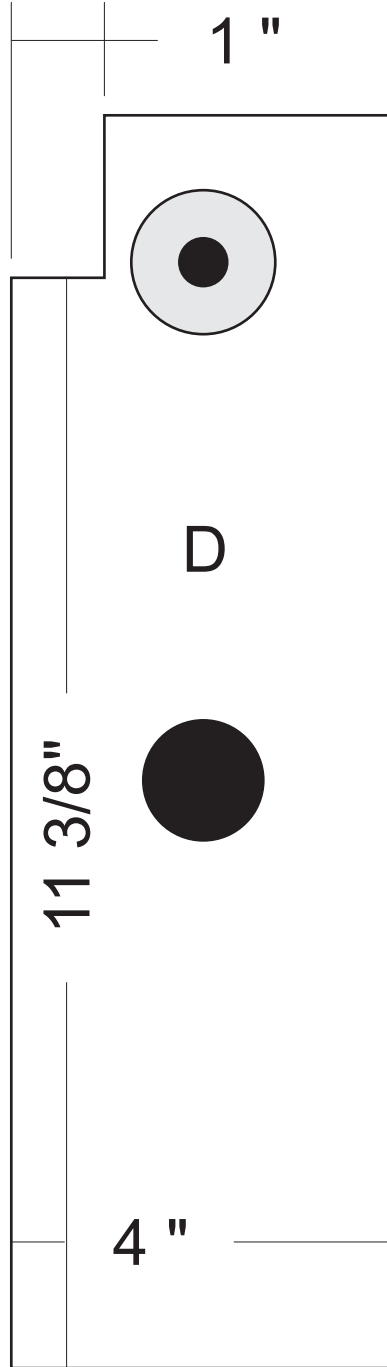
2"

G

4"

5 3/4"

Clearance
for side panel swing



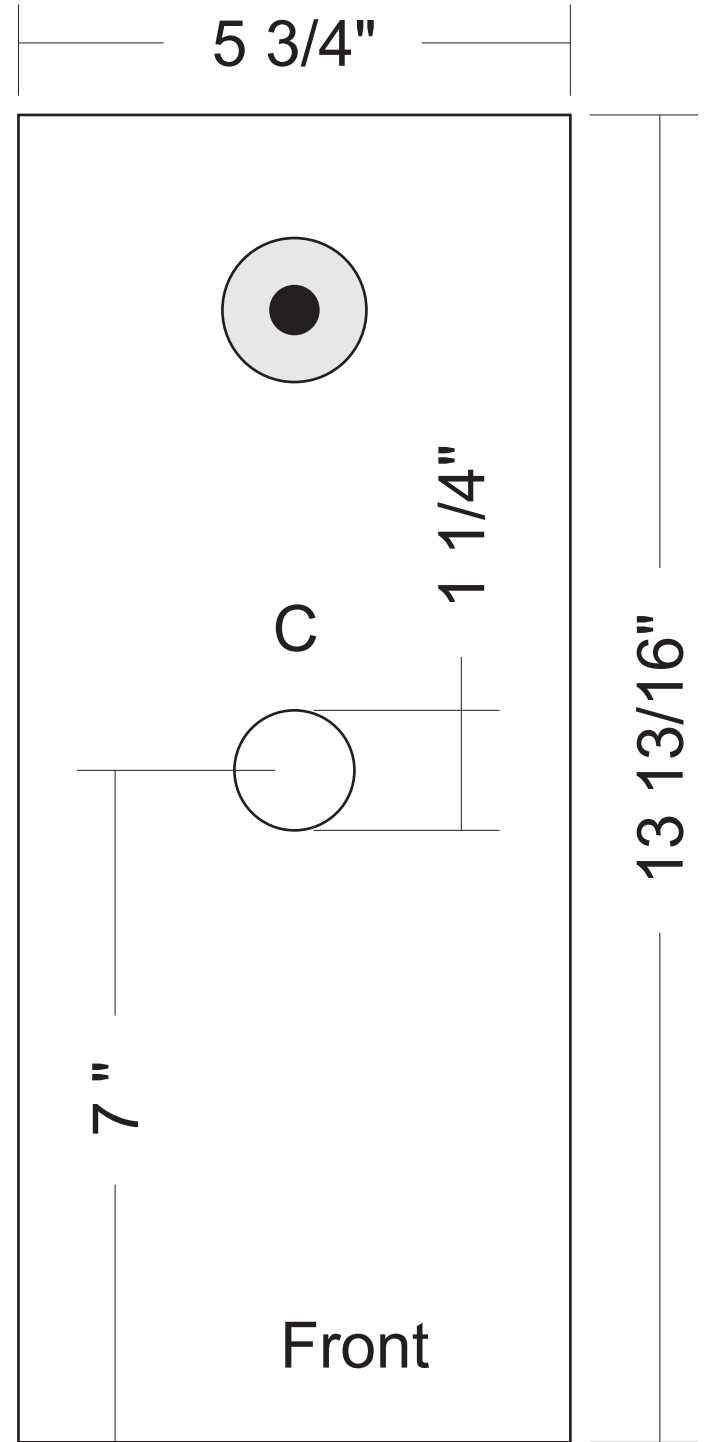
1"

D

11 3/8"

4"

12 15/16"



5 3/4"

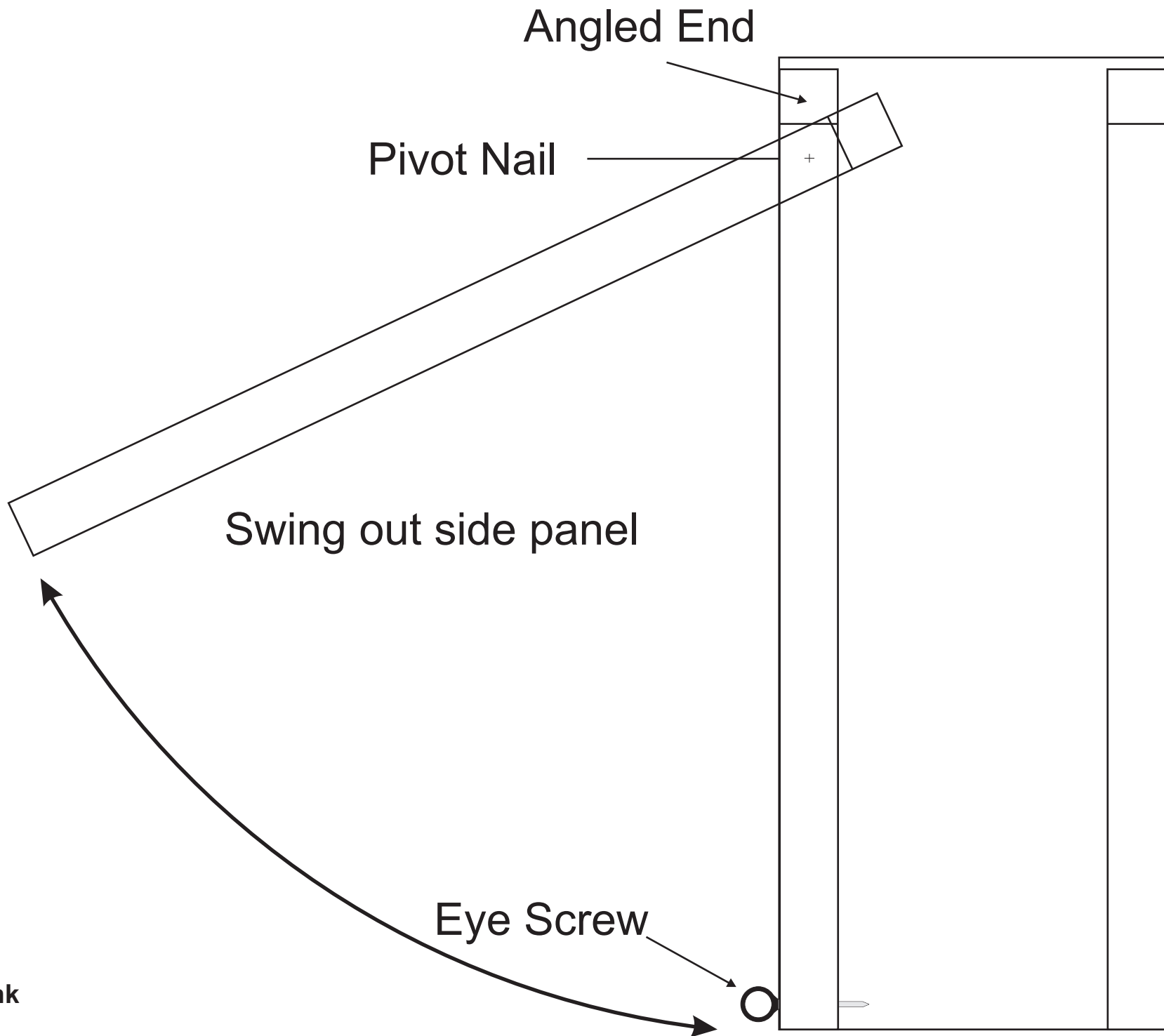
7"

C

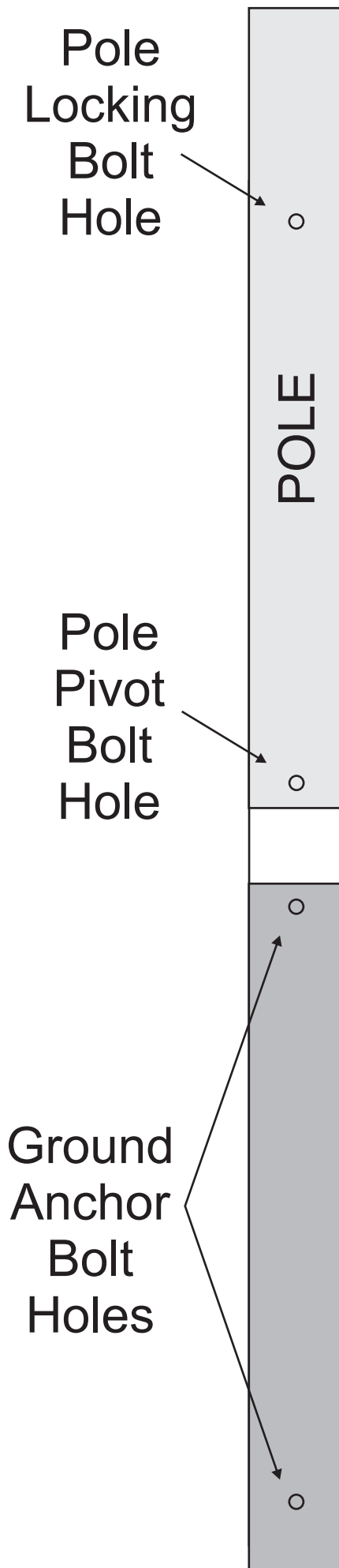
1 1/4"

Front

13 13/16"



Bird Nesting Box Swing Pole Anchor
Locked Position Side View
(front support pipe removed)



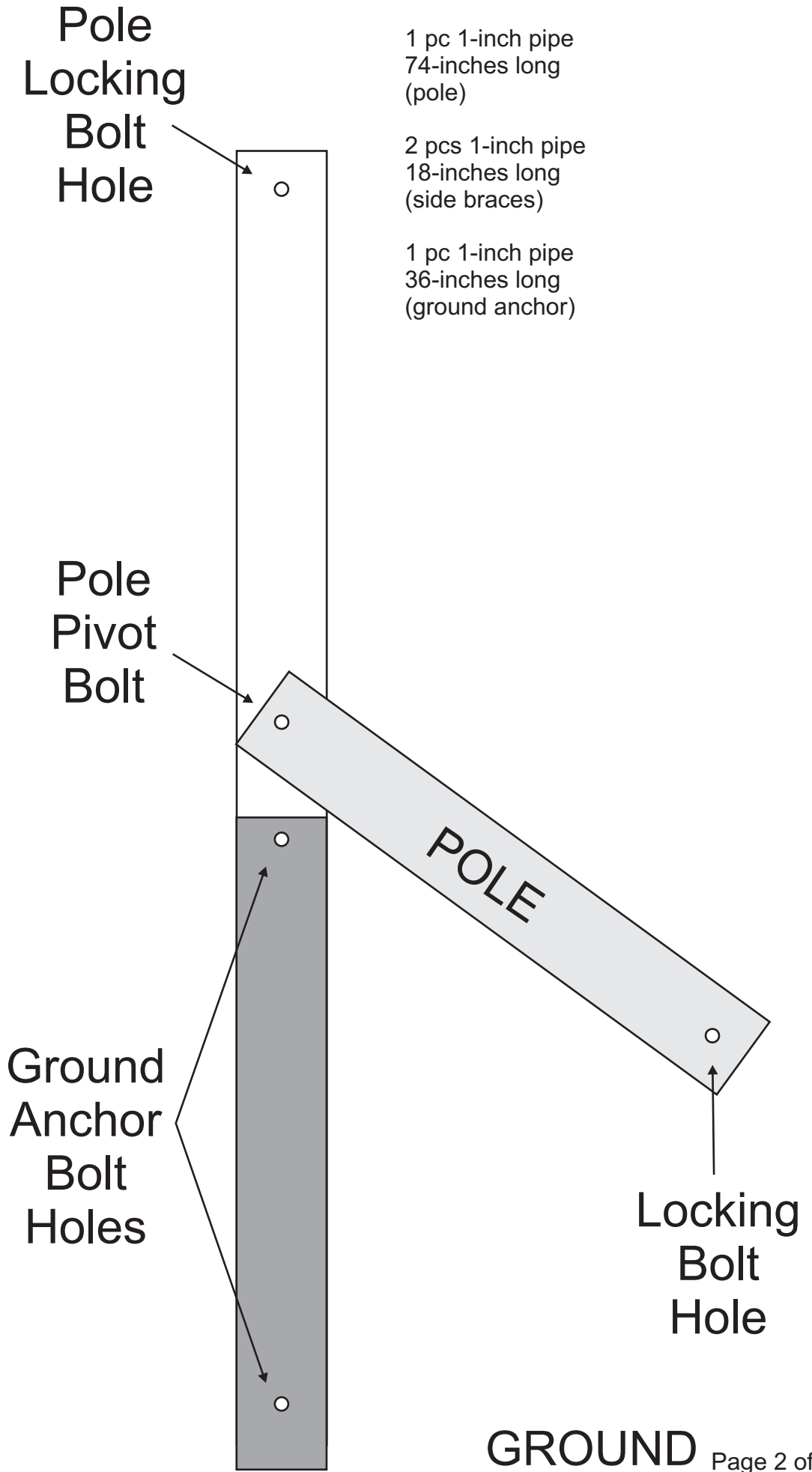
These plans are for the nesting box mounting pole. The box can be swung down for easy access.

1 pc 1-inch pipe
74-inches long
(pole)

2 pcs 1-inch pipe
18-inches long
(side braces)

1 pc 1-inch pipe
36-inches long enters
ground
(ground anchor)

Bird Nesting Box Swing Pole Anchor
Lowered Position Side View
(front support pipe removed)



Bird Nesting Box Swing Pole Anchor
Locked Position Front View

