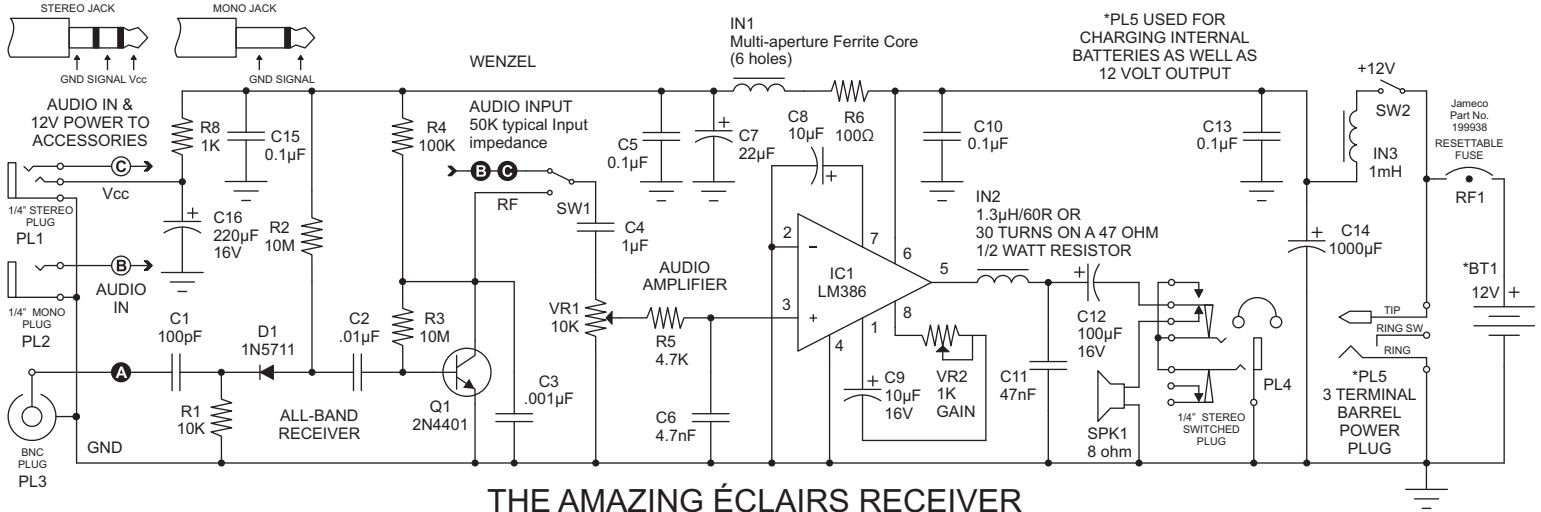


THE AMAZING ÉCLAIRS RECEIVER

(EMF/Charge/Light/Audio/Induction/RF/Sferics)

AIDS EXPERIMENTATION AND EXPLORATION



THE AMAZING ÉCLAIRS RECEIVER
 (THIS DRAWING IS FOR REFERENCE PURPOSES.)

EXTERNAL MODULES, ACCESSORIES 3

- Decibel Meter
- Field Strength Meter
- Ferrite Loopstick Antenna
- Infrared Motor Control
- Micro-Power 110 VDC Supply
- Mono to Stereo Effect
- PWM Controller
- Split Supply Generator
- Stress Level Tension Monitor
- The Curious C-Beeper
- Tremolo Effect
- Unfair AM Radio Transmitter

EXTERNAL MODULES, ACCESSORIES 4

- 60 Hz Notch Filter
- Band Rejection (Band-pass) Filter
- Charge Pump (Voltage Booster)
- Constant Current Battery Charger
- Dynamo Experiments
- Gargletron
- High Pass Active Filter
- Split Power Supply #2
- Ultrasonic Sound Receiver
- Voltage Doubler
- Voltage Doubler Charge Pump Battery Charger

THE AMAZING ÉCLAIRS RECEIVER

(EMF/Charge/Light/Audio/Induction/RF/Sferics)

INTERNAL RECEIVER

CIRCUITS:

- 200 kHz and higher All-Band Radio Frequency Receiver
- Audio Amplifier

BASIC ACCESSORIES

- 2.4GHz Antennas
- Alligator Clips for experiments
- Directional Microphone
- EMF Generator
- Folded Dipole Antenna
- Hydro Phone
- Loopstick Antenna
- Rabbit Ears Antenna
- Sferics Detector
- Solar Ear
- Speaker Experiments
- Speaker Microphone
- Split Voltage Supply
- Stethoscope
- Telephone Line Interface
- Tuned Loop Antenna
- Variable Capacitor in a Box
- Vibration Sensor
- Yagi Antenna

EXTERNAL MODULES,

ACCESSORIES 1

- AC Line Detector
- Ambient Light Sensor x2
- Chime
- Destroyer Whooper
- Directional Microphone
- Emergency Weather Siren
- Frequency Divider
- Heart Rate Monitor
- Induction Pickup
- Infrared Light Sensor
- Input Impedance Matching Transformer
- Metronome
- Signal Tracer
- Static Charge Sensor
- Telephone Voice Changer
- Two-Tone Diesel Horn
- Two-Tone Siren
- Vibration Sensor
- Voltage Controlled Oscillator

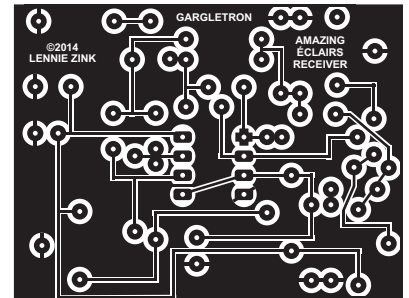
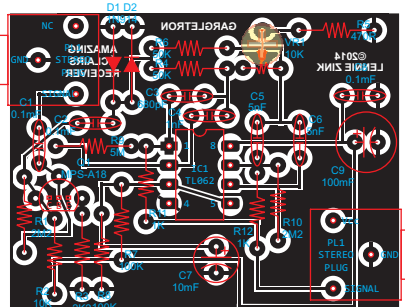
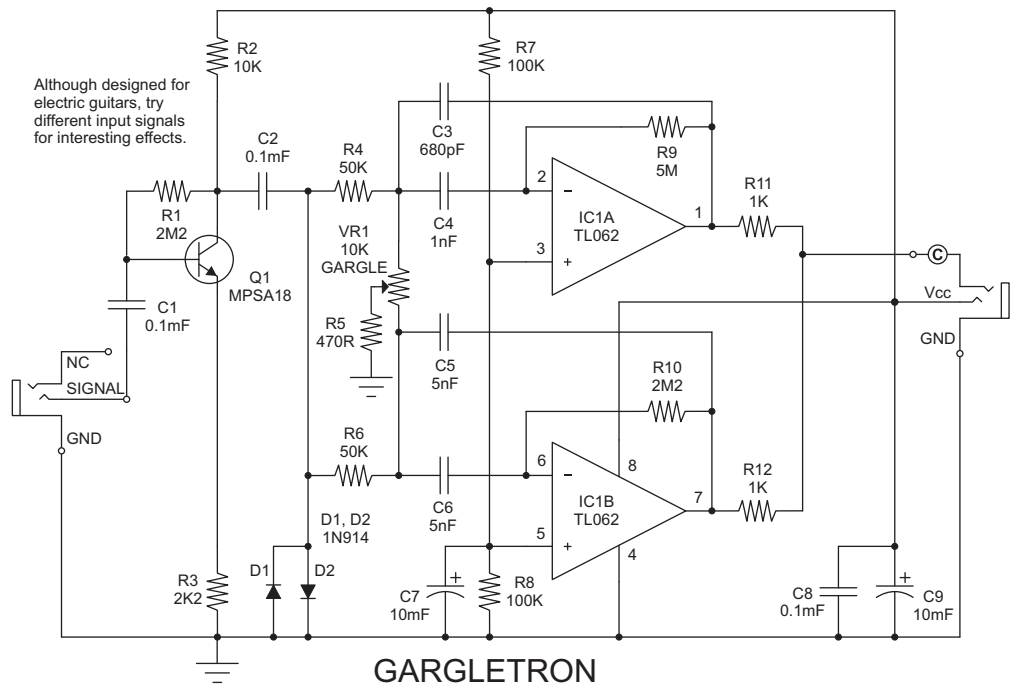
EXTERNAL MODULES,

ACCESSORIES 2

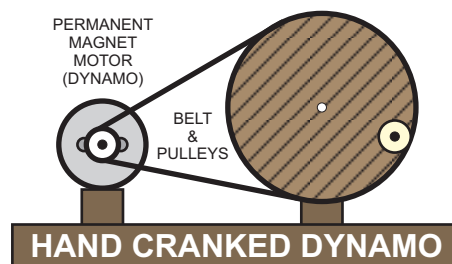
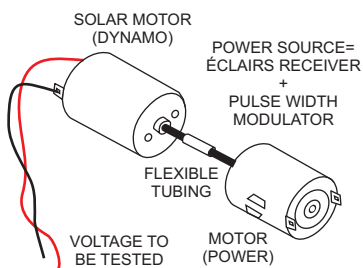
- 1 kHz Sine Wave Generator
- Active Antenna (HF/VHF/UHF, 3-3000 MHz)
- Acupuncture Point Locator
- Automatic Volume Control
- Cardiophone (Audible Heart Beats)
- Chime
- Ferrite Loopstick Antenna
- Frequency Doubler
- Ringtone Generator
- Simple Lie Detector (Bio Feedback)
- Simple IR Audio Link Transmitter & Receiver
- Simple Rain Sound Effect Generator
- Stable 60 Hz Frequency Generator
- White Noise Generator

THE AMAZING ÉCLAIRS RECEIVER

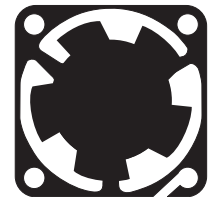
(EMF/Charge/Light/Audio/Induction/RF/Sferics)



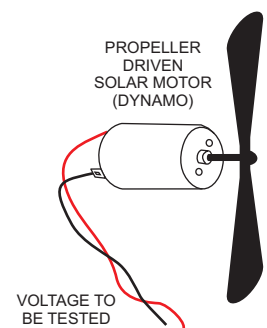
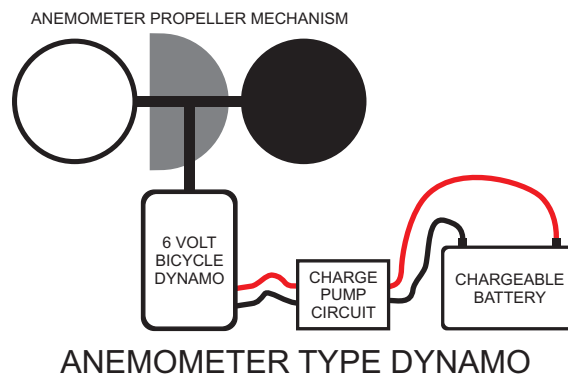
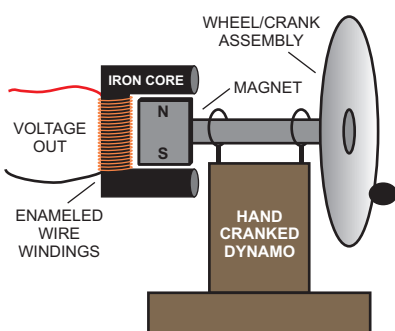
DYNAMO EXPERIMENTS



WILL A BRUSHLESS DC FAN PRODUCE ELECTRICITY?
IF SO, HOW MUCH?



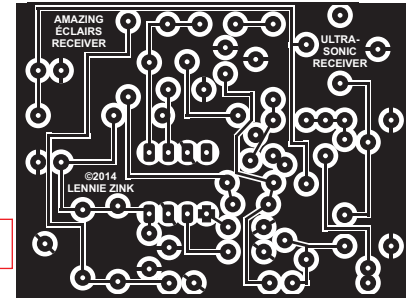
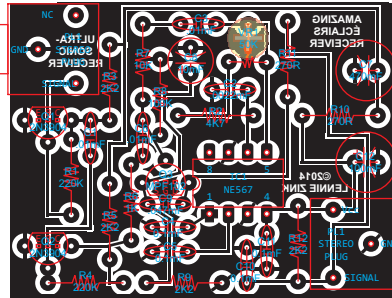
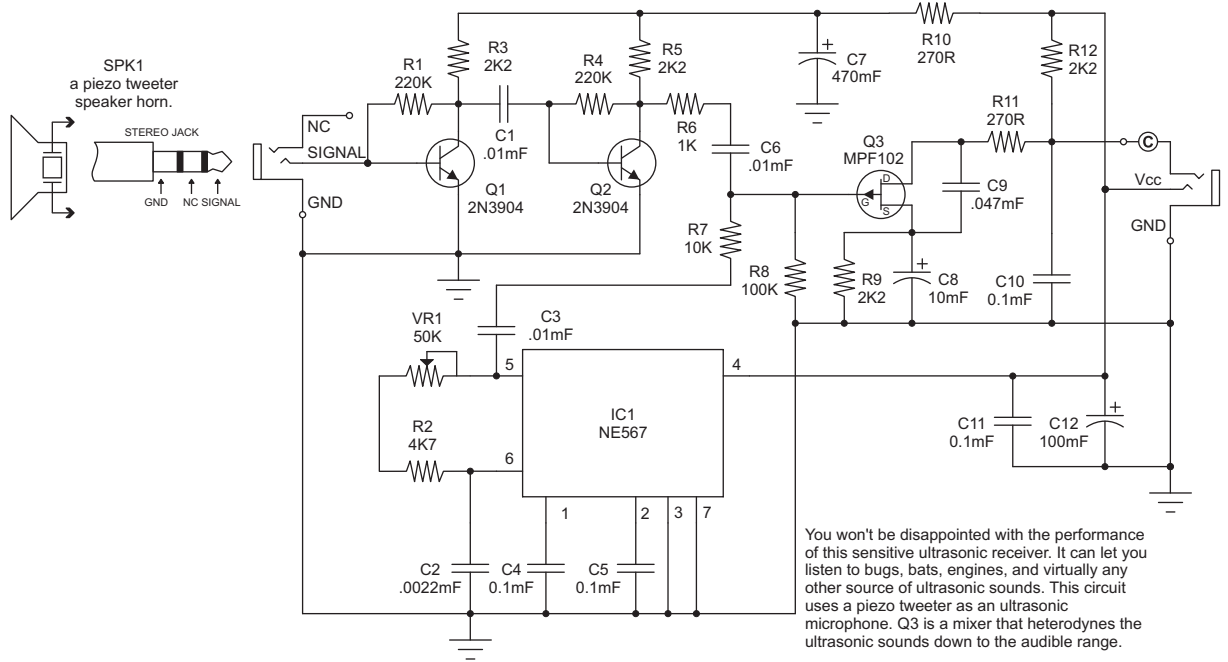
BRUSHLESS DC FAN (DYNAMO)



THE AMAZING ÉCLAIRS RECEIVER

(EMF/Charge/Light/Audio/Induction/RF/Sferics)

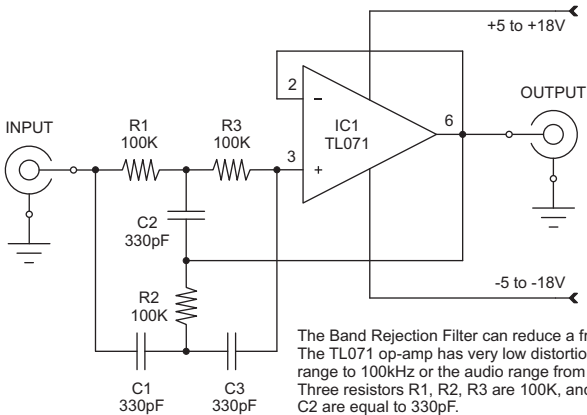
ULTRASONIC SOUND RECEIVER



THE AMAZING ÉCLAIRS RECEIVER

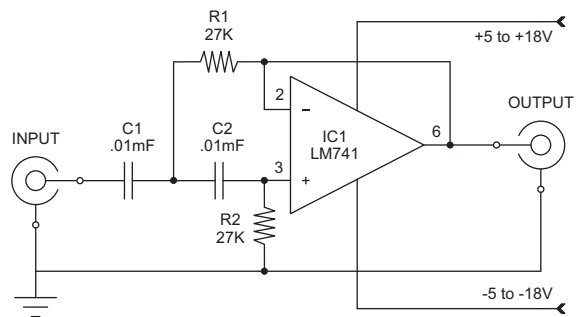
(EMF/Charge/Light/Audio/Induction/RF/Sferics)

BAND REJECTION FILTER



The Band Rejection Filter can reduce a frequency band up to 60dB. The TL071 op-amp has very low distortion and has a maximum range to 100kHz or the audio range from 1Hz to 20kHz. Three resistors R1, R2, R3 are 100K, and the two capacitors C1, C2 are equal to 330pF. To reject a different bandwidth, use this formula: $F = 2 \times 3.14 \times RC$. The rejection will be more than 40dB if the tolerance of the resistors are 0.1% and the capacitors are 1%. The circuit as will reject the 50Hz frequency.

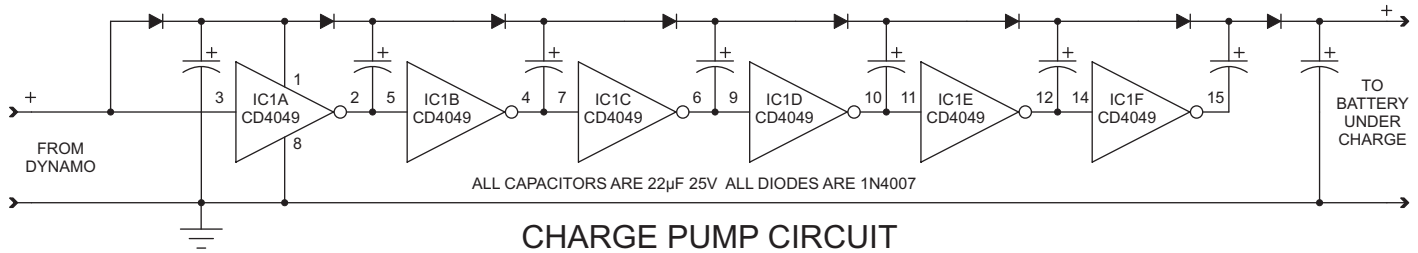
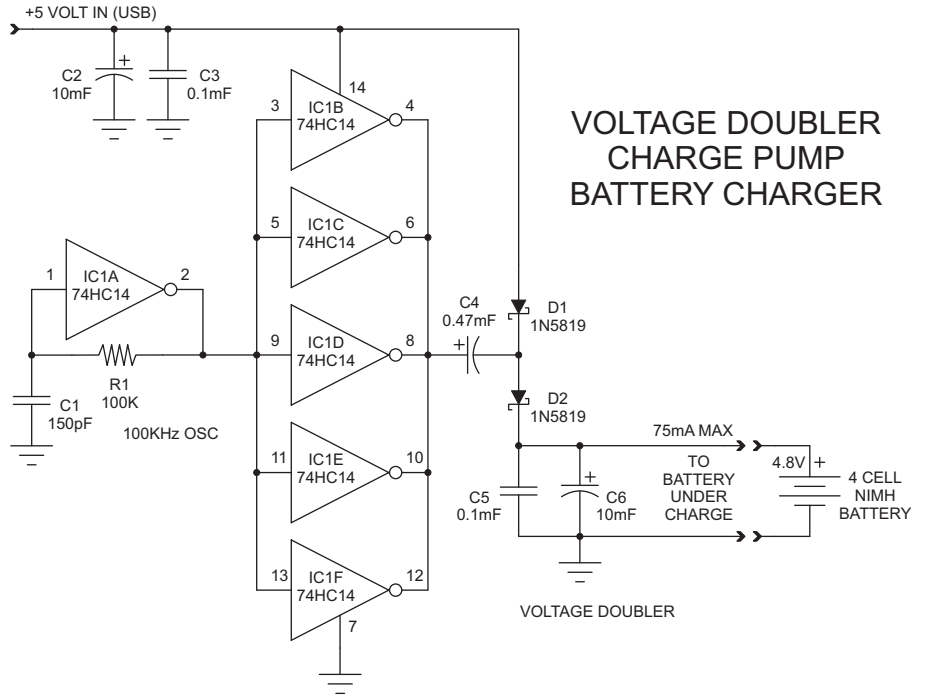
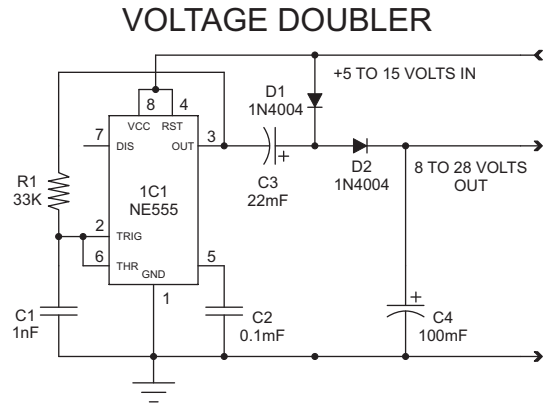
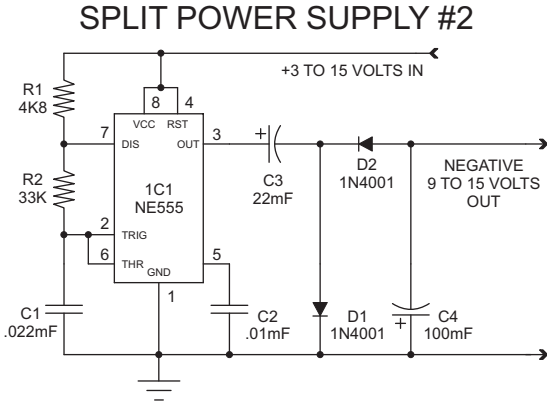
HIGH-PASS FILTER



The high pass filter circuit is a high frequency filter. This circuit uses operational amplifier 741. This op amp make for good performance, and has a precise cut off frequency. Configuration: $R1 = R2, C1 = C2$.

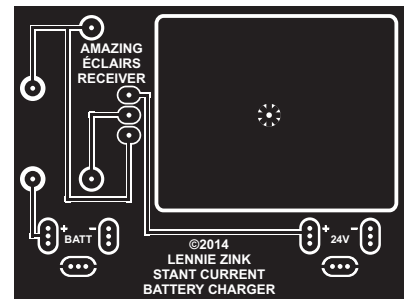
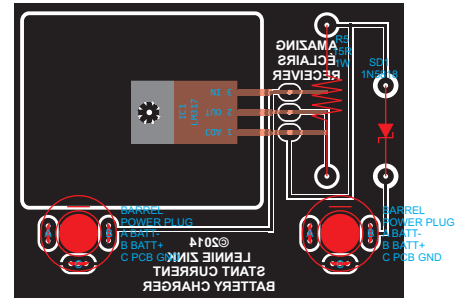
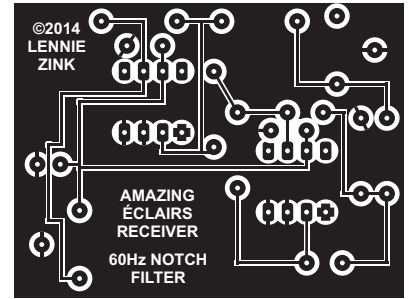
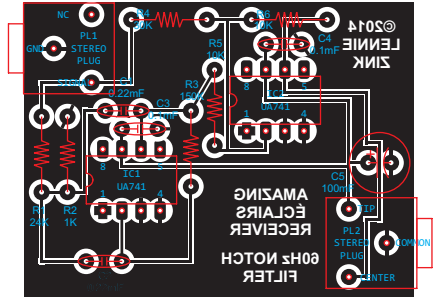
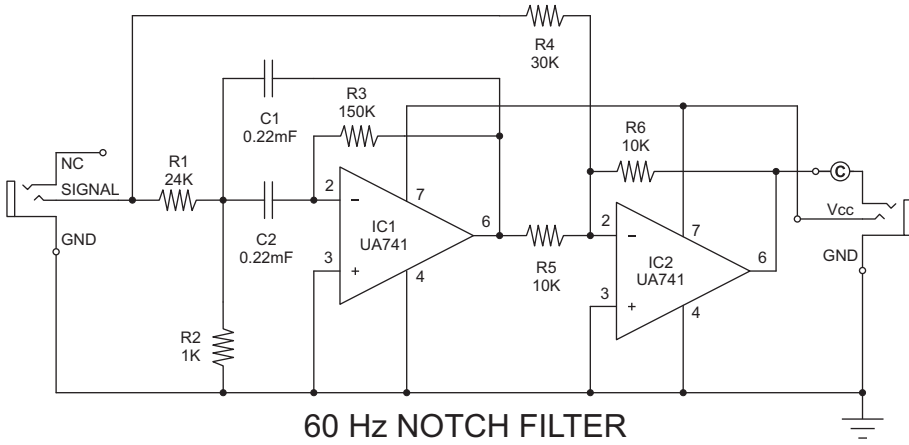
THE AMAZING ÉCLAIRS RECEIVER

(EMF/Charge/Light/Audio/Induction/RF/Sferics)

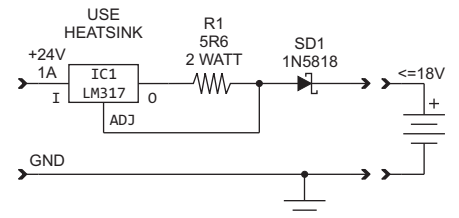


THE AMAZING ÉCLAIRS RECEIVER

(EMF/Charge/Light/Audio/Induction/RF/Sferics)



CONSTANT CURRENT BATTERY CHARGER 16 HOURS @ 230mA



**THE AMAZING
ÉCLAIRS
RECEIVER**

24 VOLT
IN

**16 HOUR
CONSTANT CURRENT
BATTERY CHARGER**

2300 mAh
230 mA
CHARGE



HOBBY
ELECTRONICS



INPUT

**THE AMAZING
ÉCLAIRS
RECEIVER**

60 Hz NOTCH FILTER

HOBBY
ELECTRONICS



OUTPUT

INPUT

**THE AMAZING
ÉCLAIRS
RECEIVER**

**ULTRASONIC SOUND
RECEIVER**

HOBBY
ELECTRONICS



OUTPUT

INPUT

**THE AMAZING
ÉCLAIRS
RECEIVER**

GARGLETRON

HOBBY
ELECTRONICS



OUTPUT