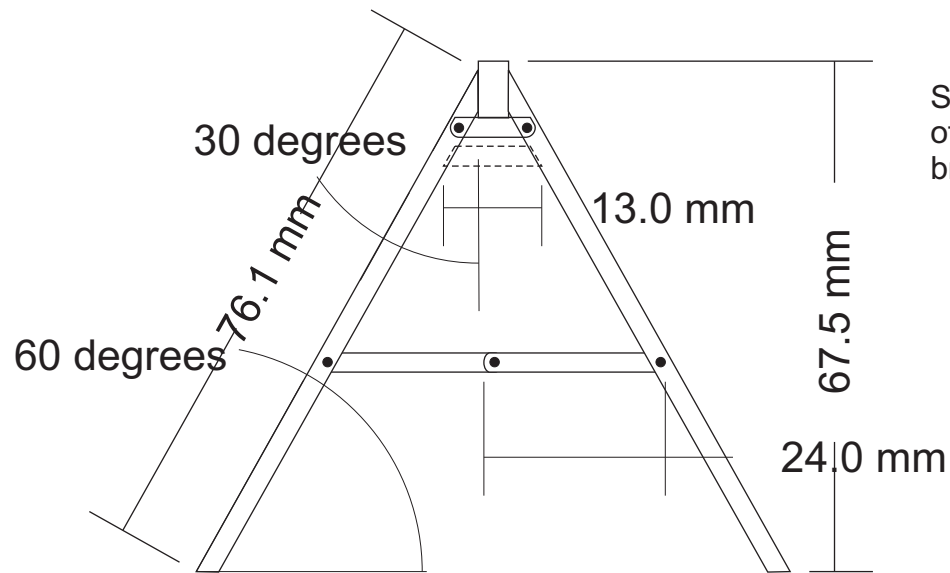


STEEL FOLDING SAW HORSES



Side View
of welded
bracket



Perhaps you don't know what you are capable of until you try it.

I copied from memory the saw horses I left behind in the States while in Cyprus.

All flat metal was 1/8" x 3/4" as well as the angle iron. Rivets were 1/4" round stock hammered into round heads. I still have these saw horses!

If I were to make them again I would make the angle of the legs much steeper. I was always tripping over them. They sure worked well.

Originals

Homemade.
Notice that the lumber
thickness is much
different.

