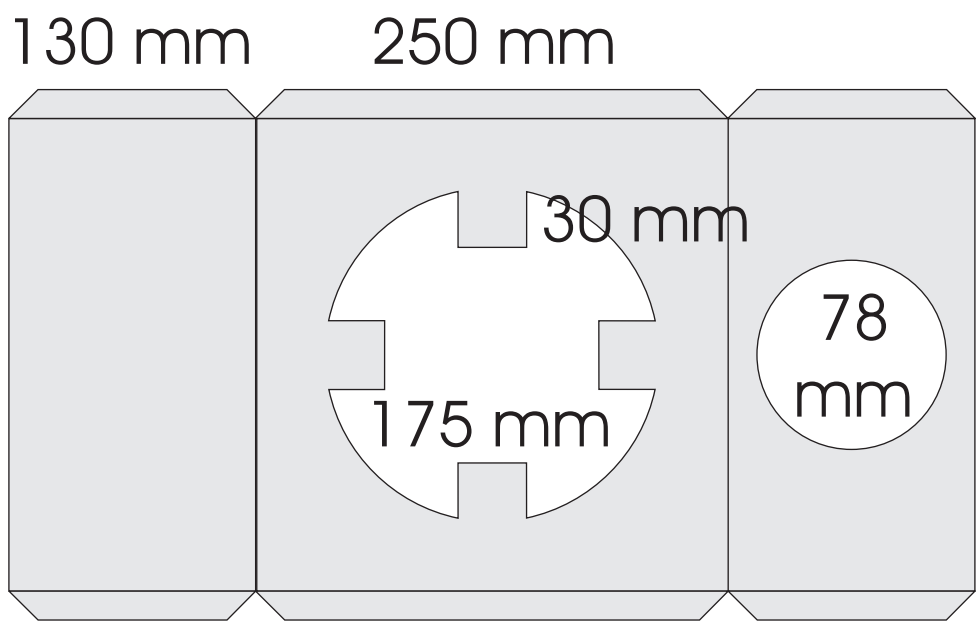
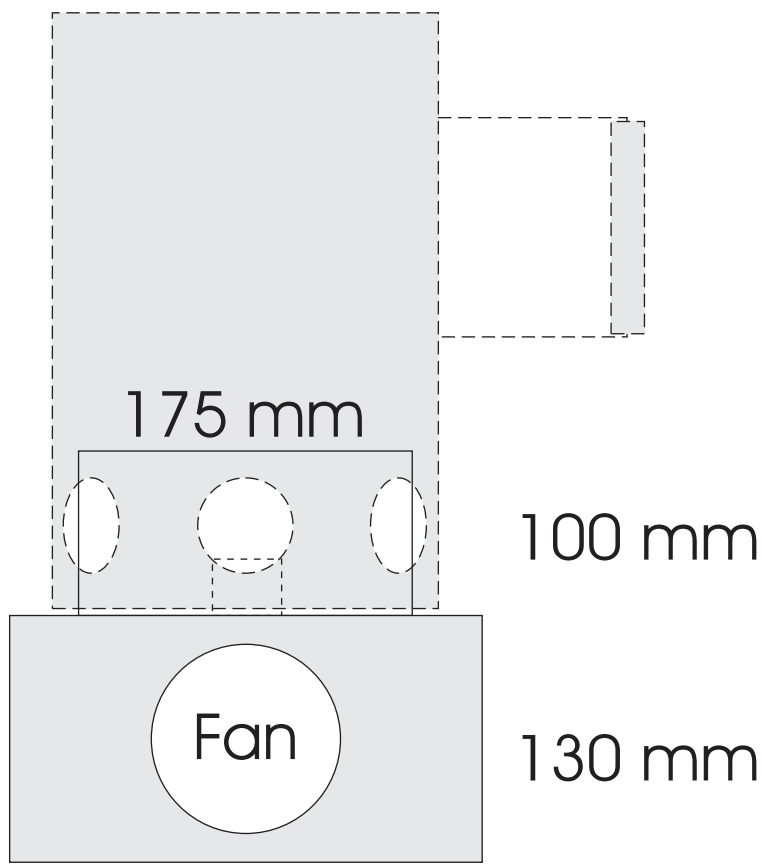


CHARCOAL STARTER WIND TUNNEL

Kathy and I lived in Cyprus a few years. Our charcoal starter was designed to be used with newspapers. Instead, I used charcoal lighter fluid. When the flames died down I would sit the starter on top of the "wind tunnel" you see here. Wind was generated by a 12 volt fan from a computer. After trials, the fan was extended from the box with a piece of sheet metal made into a square tube.

I don't have any pictures of it but the coals were ready in record time!

I remember that I fabricated this on our side porch with minimum tools.



©2013
Lennie Zink

Layout is for A4 paper!